



SLIDING SCREEN FITTING INSTRUCTIONS – SL2

Sliding door guide block installed on site

Components: SFK-SL2

- 1 x Roller Set
- 1 x Handle Set
- 1 x **Bag 103** – TRB retainer plate & end cap vertical
- 1x **Bag 1** – Allen Keys (1.5, 2.5,3,4)
- 1x **Bag11** – Packers
- 1x Blue Masking Tape
- 1x BAG-GB-W
- 1x BAG-GB-B
- 1 x Bumper Pack (6)
- 1 x Clear Silicon
- 1 x Screen Fitting Instructions

Other equipment required:

- No 1 Square Drive Screwdriver
- Caulking Gun
- Drill
- Level
- Pencil
- Tape Measure
- Phillips Screwdriver
-
-
-

Checked by: _____

Date: _____

Included in with this shower package:

- | | | | |
|-------------------------------------------------|--------------------------|-----------------------------------------------------------------------------------------|--------------------------|
| 1 x Glass Door with 2 large holes - SL B | <input type="checkbox"/> | 1 x Wall Channel Tube – Glass Receiver WCT | <input type="checkbox"/> |
| 1 x Plain Fixed Panel - 21 B | <input type="checkbox"/> | Below Components included in WCT | |
| 1 x Glass Return Panel - SL R | <input type="checkbox"/> | Bag109 - 2x6Gx40Sq drive screws & 2x wall plugs & instructions | <input type="checkbox"/> |
| 1 x Top Rail Brace – TRB-SL | <input type="checkbox"/> | Bag108SL – End connector channel & spacer 2x6Gx10 sq drive screws 1/8” drill bit | <input type="checkbox"/> |
| | <input type="checkbox"/> | Bag18 – 8x6Gx40 Sq drive screws & wall plugs – 1x4mm drill bit | <input type="checkbox"/> |
| | | 1x Vertical Seal – SEAL-BULB | <input type="checkbox"/> |

DO NOT INSTALL DAMAGED OR DEFECTIVE PRODUCTS

- It is the installer's responsibility to thoroughly check the glass panel prior to installation.
- Atlantis will take no responsibility for any glass panel that has been installed with a noticeable defect.

NOTE: a noticeable defect must be visible to the naked eye, in normal daylight conditions, standing at a distance of two meters.

Any imperfection that is not visible within the above noted parameters will not be accepted by Atlantis to be a defective product, and installation can proceed as usual.

***PLEASE NOTE:** Stand glass upright at all times. Keep glass panels level with the floor to avoid damaging corners.*

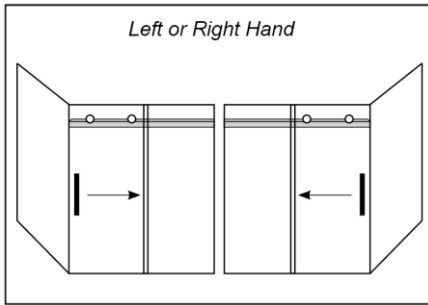
NO RESPONSIBILITY WILL BE TAKEN BY ATLANTIS FOR ANY GLASS BREAKAGES OR CHIPPED EDGES.

GLASS RECEIVER CHANNEL MUST BE INSTALLED ONTO THE WATERPROOFING BEFORE THE WALLS ARE TILED

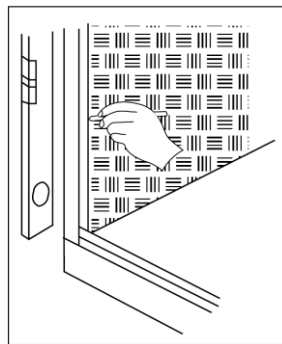


Installer – When Architectural Finish is fitted to base. Trim the internal leg off the wall channel to adequately clear the base surface. Ensure the wall channel interlocks correctly with the base.

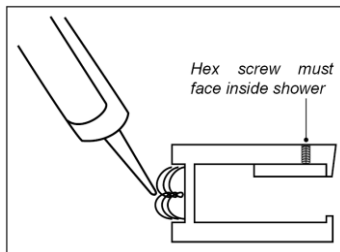
1. Choose the door direction.



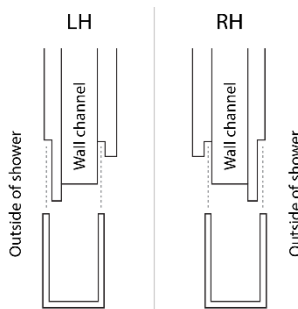
2. Position glass receiver channel over the base glazing channels. Use a straight edge and mark the wall to indicate where the wall channel is plumb.



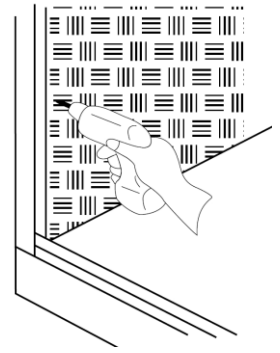
3. Apply a silicon seal to full length of channels. Silicon used must be compatible with anodised aluminium as well as the waterproofing being used.



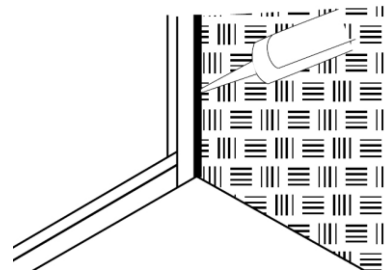
4. Ensure the glass receiver channel is located firmly over the base glazing channel. The machine recess in the wall glazing channel must firmly locate over the base glazing channel.



5. Locate the framing timber. Use the 4mm drill bit to drill holes through the glass receiver channels. Fix four screws through the channels in the wall framing (use wall plugs if required – bag18 supplied with wall channels).



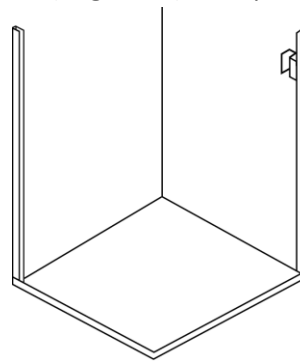
6. Apply a continuous bead of silicon to the full length of the channels and waterproofing, indicated by the dark line (inside channel).



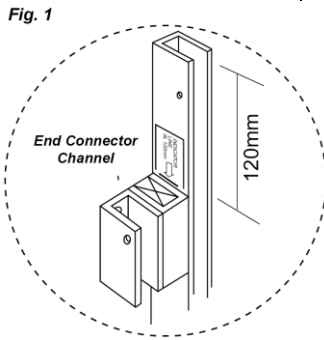
7. INSTALLATION OF TOP RAIL BRACE END CONNECTOR CHANNELS AND SPACER

Fix the top rail brace end connector channel (**bag108SL**) and spacer directly below the

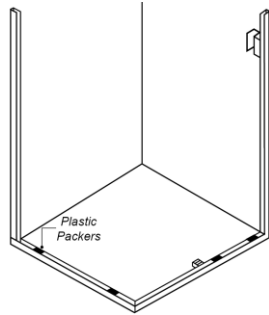
indicator line on glass receiver channel as shown (**door side only**). **The sticker is an indication only!**



Detail in Fig. 1. **Must be accurate.** 120mm from top of wall channel to top of end connector channel.

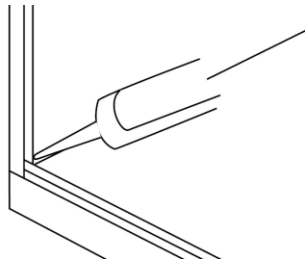


8. Apply plastic packers (bag11) into the base glazing channels in locations as shown.



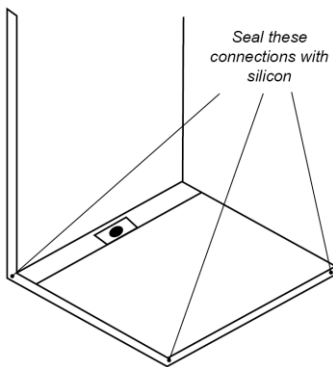
9. CRITICAL SEAL

Remove dust and dirt first. Seal the connection between the glass receiver channel and the base glazing channel with clear silicon prior to the installation of panel SL R.



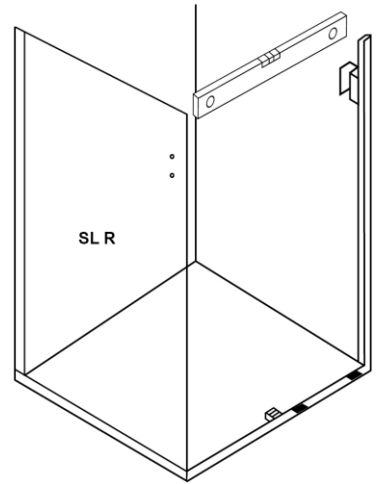
Ensure the corner junction between wall channel and base channel is full of silicon before final glass placement.

It is vital that all junctions are sealed sufficiently.



Prior to installation of glass panels and infill all connections of channels, must be sealed with clear silicon supplied

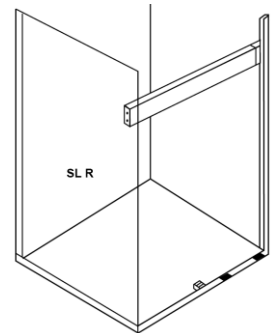
10. Locate the glass panel **SL R** into the glazing channel. The top of panel **SL R** must be level with the top of the glass receiver channel on the door side. Adjust height of panel if necessary by adding or removing plastic packers (bag11) in the base glazing channels.



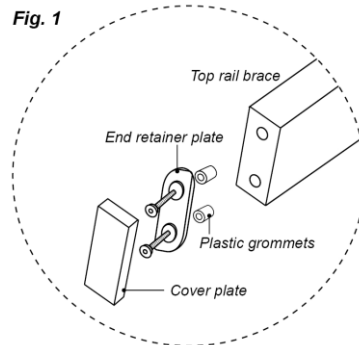
11. TOP RAIL BRACE INSTALLATION

Avoid scratching

Slide into the end connector channel. Refer to Fig. 1 for fixing to the return panel **SL R**. Ensure the top rail brace is level. Drill into CSK holes provided in the end connector



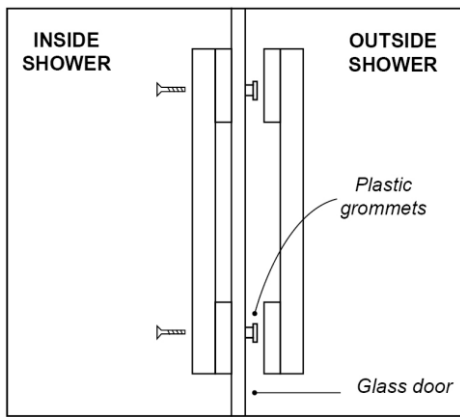
channel. Fix with the short CSK screws. (**bag103SL** – preferably hand screw)



Apply Cover Plate after complete screens are installed.

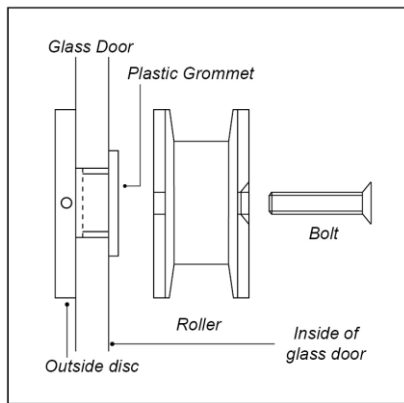
12. HANDLE INSTALLATION

Assemble the handles as shown. Use 3mm Hex Key supplied with the handle set.



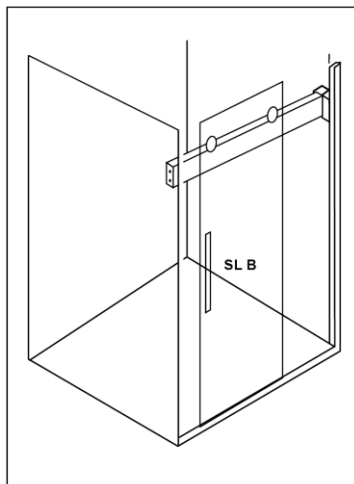
13. ROLLER SET ASSEMBLY TO GLASS DOOR

Ensure the direction of the door is correct. Fit the plastic grommet through the glass first (Note: Direction of grommet). Tighten with the 4mm hex key supplied.



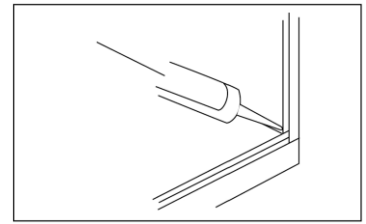
14. DOOR INSTALLATION

Protect the outside face of the top rail brace with the blue tape supplied. Standing outside the shower, lift the door, **SL B**, and place the rollers onto the top rail brace. At the same time locate the door into the bottom door guide. Adjust the door height and alignment by loosening the roller bolts and rotating the outside disc. Ensure the bottom of the door clears the floor tiles.



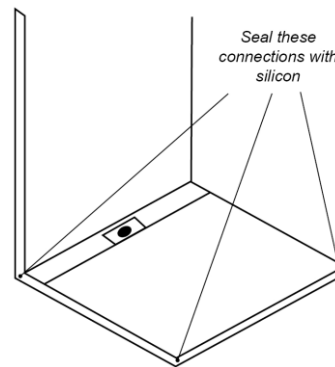
15. CRITICAL SEAL

Remove dust and dirt first. Seal the connection between the glass receiver



channel and the base glazing channel with clear silicon, prior to the installation of the fixed panel, **21-B**. Ensure corner junction between wall channel and base channel is full of silicon before final glass placement.

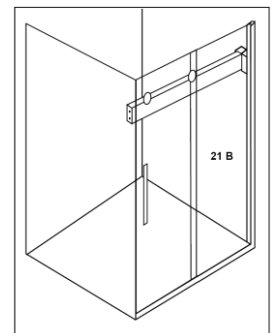
Ensure the corner junction between wall channel and base channel is full of silicon before final glass placement. It is vital that all junctions are sealed sufficiently.



Prior to installation of glass panels and infill all connections of channels, must be sealed with clear silicon supplied

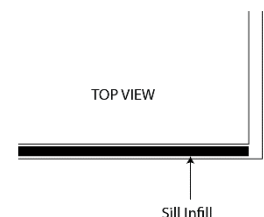
16. INSTALLATION OF FIXED PANEL

Locate the glass panel **SL-F** into the glazing channel. Add or remove plastic packers (bag11) in the base glazing channel as necessary.



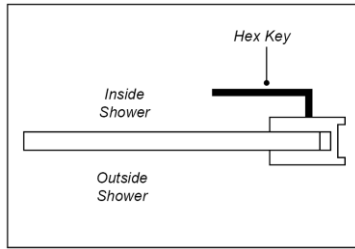
17. SILL INFILL

Trim Sill Infill to fit between the fixed panel and the return panel. Apply a continuous bead of clear silicon to each inside face of the base channel. Ensure the ends of the Sill Infill are sealed and place into the base channel in the location as shown.



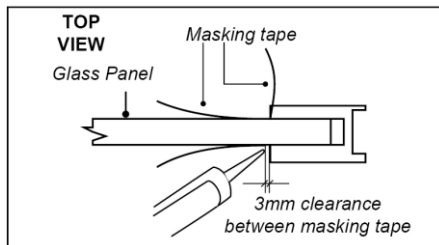
18. FASTENING GLASS

Secure the glass panels into the receiver channel by tightening hex screws firmly with Hex Key supplied. (Do not overtighten).



19. SILICON APPLICATION

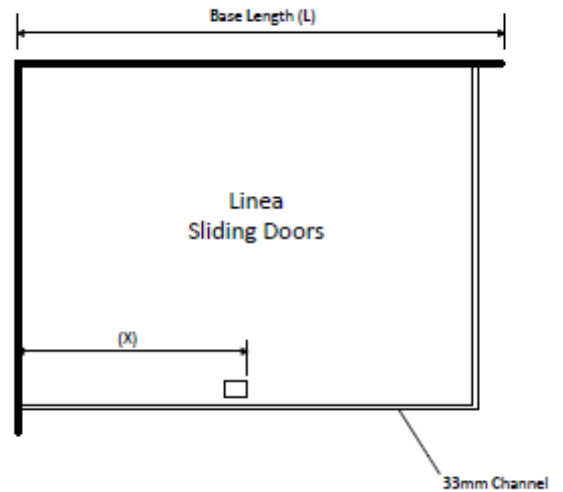
Using the blue tape supplied, mask the glazing channels and glass at the intersections as shown. Apply clear silicon to the inside and outside of the base and wall receiver channels. Use the spatula provided to remove the excess silicon. Remove the masking tape immediately after application.



20. SLIDING DOOR GUIDE BLOCK

There are two options when installing a guide block. In each case ensure the guide block isn't too tight (must allow the glass to slide through it). Apply a small bead of silicon to the bottom and side of the block and then place into position – tight to the inside of the glazing channel. Use a 1 or 2mm packer on the outside of the glass to firmly hold the glass and guide block in place. Tape glass and block into place to ensure they don't move while silicon cures.

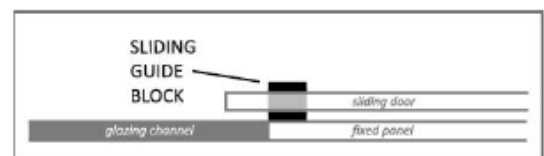
Guide Block Fitted Prior to Tiling



BASE LENGTH (L)	DISTANCE (X)
1100	530
1200	580
1300	630
1400	680

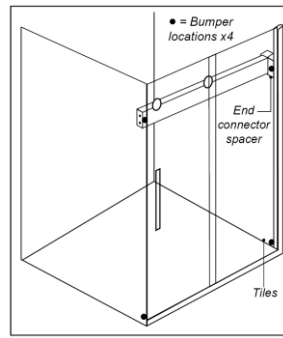
Guide Block Fitted after Tiling or on an Architectural Finish

Slide the door as far back in an open position as possible (be careful of it hitting the wall). Slip the sliding guide block under the door and locate it in line with the end of the fixed panel on the opening side. Ensure that the door is level. Silicone into place



21. BUMPER APPLICATION

Apply 15mm area of primer to the wall tiles, end connector spacer and glass shown in locations as shown. Place bumpers onto the primer. Ensure the door slides to, and meets the centre of the bumpers. Alternatively, use vertical seal supplied. Clip seal onto leading edge of door.

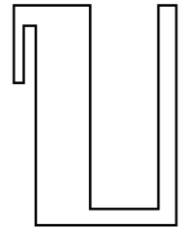




SLIDING SCREEN – GUIDE BLOCK

CODE - ABS-LQ-GB-LONG

Linea Quattro – Installed on base prior to tiling



CODE - ABS-LQ-GB-SHORT

Linea Quattro – Installed after tiling or on an Architectural Finish when installing screens



CODE - ABS-EI-GB-WHITE / BLACK

Ebony & Ivory – Installed on base when installing screens

