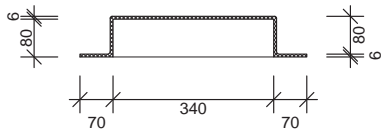
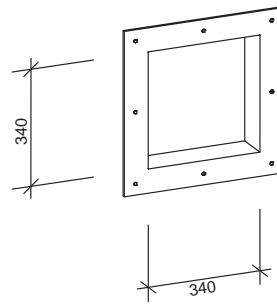


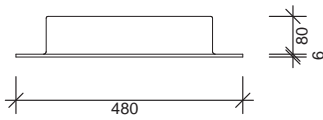
EASYNICHE TILE-OVER SQUARE



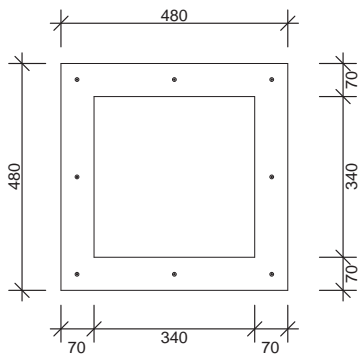
Section



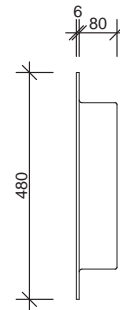
Perspective



Plan



Front Elevation



Side Elevation